



Maquet Magnus Operating Table System

An investment in a future-proof
healthcare facility

This document is intended to provide information to an international audience outside of the US.

GETINGE *

A close-up photograph of a medical device, likely a patient warming or cooling unit, in a clinical setting. The device is primarily silver with black accents. A black padded surface is visible at the top. A control knob with a black cap is located on the right side. The brand name 'GETINGE' and a logo are printed on a white label on the front panel. The background shows a blurred clinical environment with white walls and ceiling fixtures.

GETINGE *

Improve outcomes

– with a cost-effective solution

The Maquet Magnus Operating Table System is the culmination of Getinge's knowledge, resources and expertise, providing state-of-the-art technology for optimized workflows and improved patient safety in the OR.

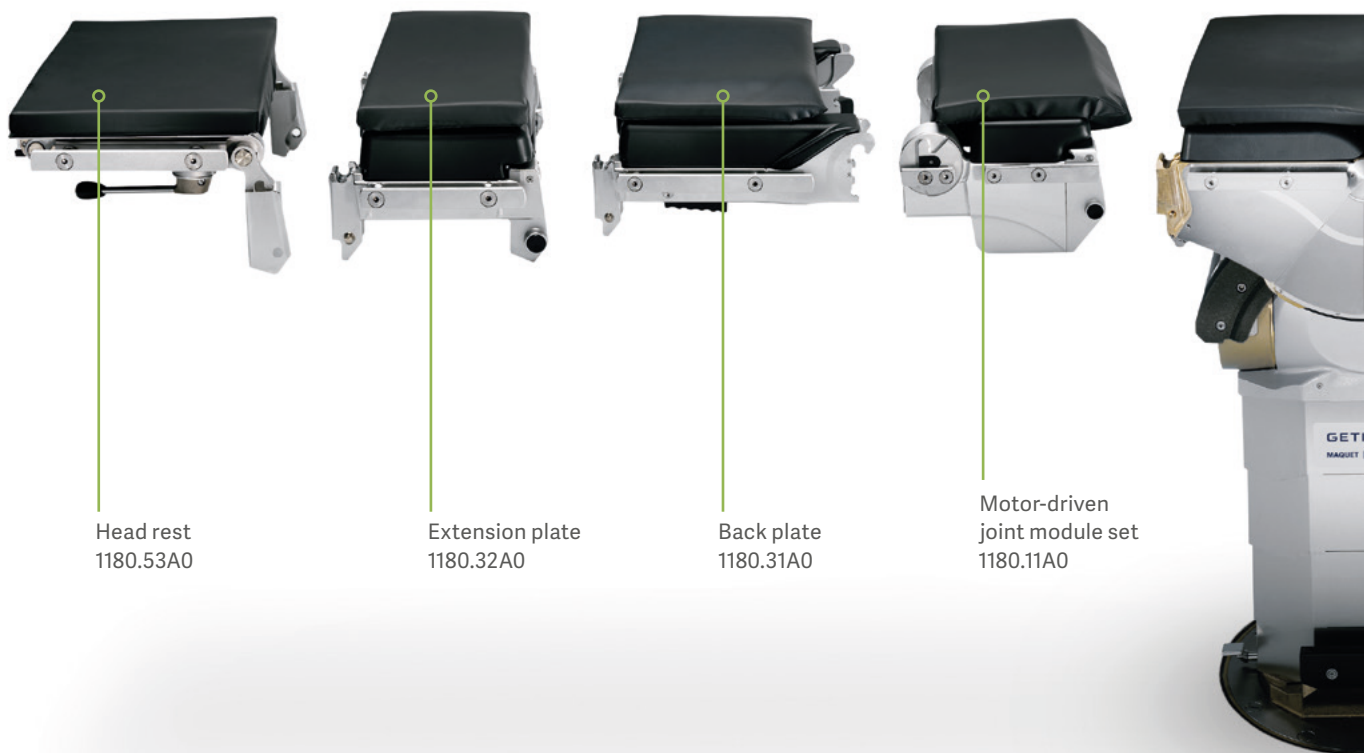
Getinge is built on a genuine compassion for people's health, safety, and wellbeing. Founded in 1904 with roots dating back to 1838, Getinge has grown organically and through acquisitions to become a global market leader. Our product portfolio offers solutions and support throughout the clinical pathway and features many well-known and dependable product brands – including the Getinge OR Table Systems,

which were first developed more than 50 years ago. The Getinge Table System Maquet Magnus sets standards in extreme positioning and stability through its impressive flexibility and weight-bearing capacity. At the same time, the ergonomic design and safety features ensure a healthy and comfortable environment for patients and surgical teams.



Explore the possibilities

Maquet Magnus is a flexible system for all surgical disciplines



Head rest
1180.53A0

Extension plate
1180.32A0

Back plate
1180.31A0

Motor-driven
joint module set
1180.11A0

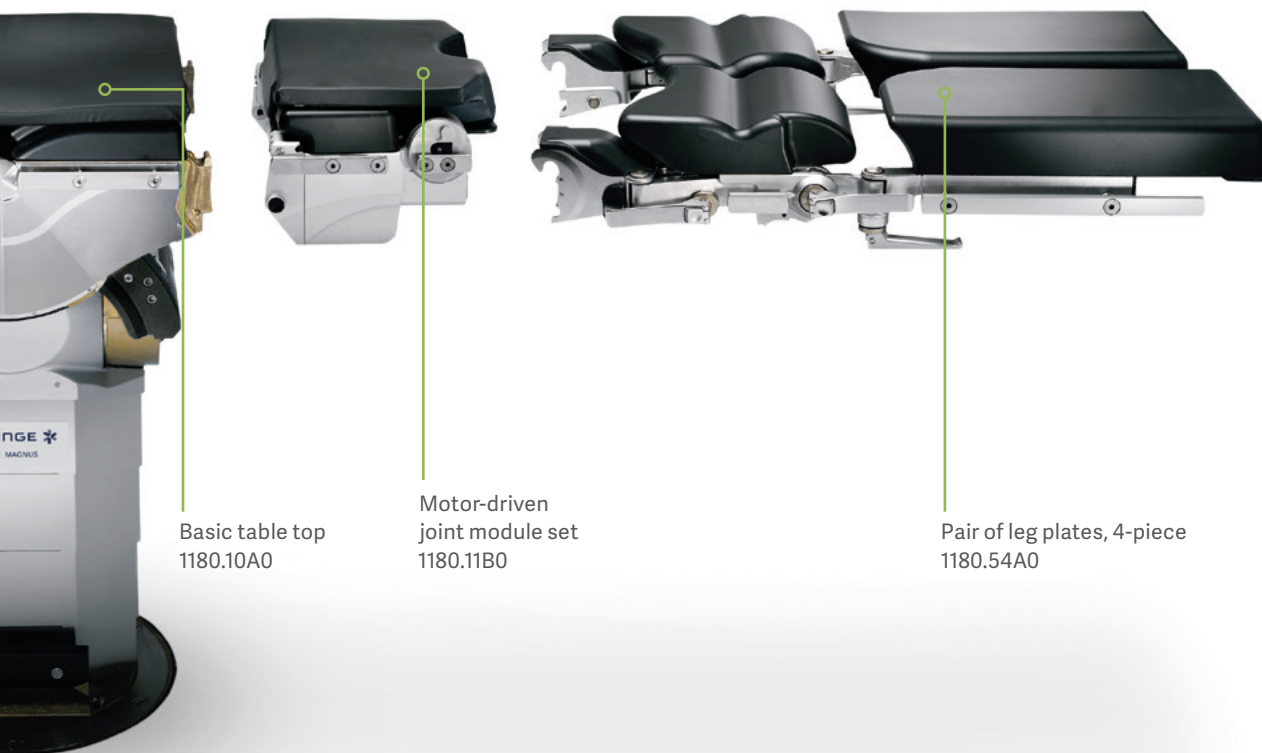
Improvements in efficiency can have a dramatic impact on your hospital's bottom line by increasing turnaround times between surgeries and reducing staff injuries or damage to equipment. The Maquet Magnus Operating Table System has been designed to optimize workflows in the OR and create a safe environment for patients and staff.

Maquet Magnus is suitable for all surgical disciplines and interventions, and is therefore highly cost-efficient. Thanks to the modular universal table top and wide variety of modules, it can be set up easily for all kinds of surgical interventions and configured to meet the individual needs of your staff.

With its extensive height adjustments and patient positioning capabilities, Maquet Magnus offers the surgical team extensive possibilities of adjusting the table according to their specific needs. An ergonomic working space is provided which allows the surgeon to assume a relaxed position – no matter whether low or high – in order to reduce fatigue, especially during long procedures.

The specially developed collision detection system offers further protection for staff, patients and equipment, and reduces the number of disruptions in the OR.

Maquet Magnus saves you time – and space, as there is no need to retain different table tops for different surgeries. It also provides a platform for the future, as it can be adapted to reflect any changes in your portfolio or setup.



Basic table top
1180.10A0

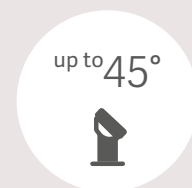
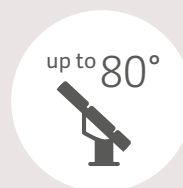
Motor-driven
joint module set
1180.11B0

Pair of leg plates, 4-piece
1180.54A0

Maquet Magnus offers many safety and comfort features to improve patient outcomes, such as innovative soft foam core (SFC) pads which ensure maximal pressure relief performance. Reduced patient damage means less patient claims, and a better public perception of the quality of healthcare services provided by your hospital.

With the Maquet Magnus OR Table System, you can streamline your OR workflows right from the beginning. Easy Click interfaces and intuitive use reduce setup time.

Effortlessly removable table tops eliminate the need for repeated patient transfers, letting you transport the patient throughout the whole surgical area without repositioning.



Hybrid ORs – surpassing today's expectations

Image-guided surgery will become the new standard

At the core of the Getinge Hybrid OR is the Maquet Magnus Operating Table System

Featuring interchangeable carbon fiber and universal table tops, Maquet Magnus can be quickly configured to accommodate a range of image-guided surgical procedures. Designed to work in full harmony with leading imaging system suppliers, Maquet Magnus is key to making the Hybrid OR future proof, offering integrated solutions for angiography systems, CT and MRI, that ensure superior imaging and table performance.

The precise and controlled table movements protect patients and improve accuracy during intra-operative readjustments. Quickly interchangeable radiolucent table tops allow for seamless transition between surgical procedures and disciplines. At the same time, they improve patient outcomes by reducing the need to transport the patient between multiple departments and teams.

The Maquet Magnus product range also includes carbon fiber table tops, which are ideally suited to the Hybrid OR. These plates are made of radiolucent carbon fiber composite material, which allows a 360° imaging without metal elements that could influence the image. Available interfaces to common imaging partners offer perfect synchronization with imaging equipment. Synchronized movements of X-ray equipment and Maquet Magnus improve radiological results due to the retention of the isocentre.

Even in time-critical situations, Maquet Magnus gives you the freedom you need to make the best possible decisions for your patients.



GETINGE *

GETINGE *
MAQUET | MAGNIS

Peace of mind

– that follows you all the way

A Getinge Care service agreement maximizes the long-term value of your investment. Your Getinge products will be monitored and maintained to ensure that they deliver peak performance whenever and wherever they are needed.

You are our priority

Maximizing equipment performance should not need to strain your budget. Our four levels of service packages are designed with your hospital's success in mind. Whether you have a full service department on site, or limited in-house personnel, we can meet your needs.

Our Getinge-certified field service representatives and Getinge original parts are your best investment in maximizing the life span of your equipment.



Sales
and warranty

Service
contracts

Training and
support

Spare
parts

Life cycle
management

The name Getinge Care was carefully chosen to reflect our commitment to providing for your needs, so you can care for your patients.

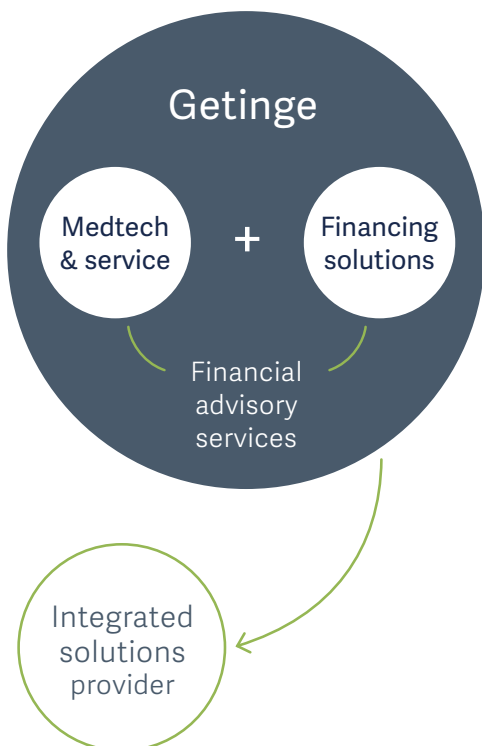


Financial solutions to meet your needs

Getinge Financial Services

Getinge is more than a global provider of high-end medical equipment

As an integrated solutions provider, we offer you a mix of broad industry commitment and financial expertise that is unique in the medical technology sector. Due to our strong emphasis on local presence, we understand your business- and country-specific requirements and challenges.



Secure funding with competitive rates

Getinge Financial Services (GFS) is a reliable customer finance partner that will work with you to help you access and finance the best medical technology on the market. Our experienced financial analysts have a successful track record of working with public and private hospitals.

GFS acts as an enabler, to understand your needs and to co-design, with our sales team, the right solution that fits your requirements. Our strong and long-standing relationships with Export Credit Agencies (ECAs), local partners and a dedicated pool of lenders enable us to offer you a wide range of financing solutions.

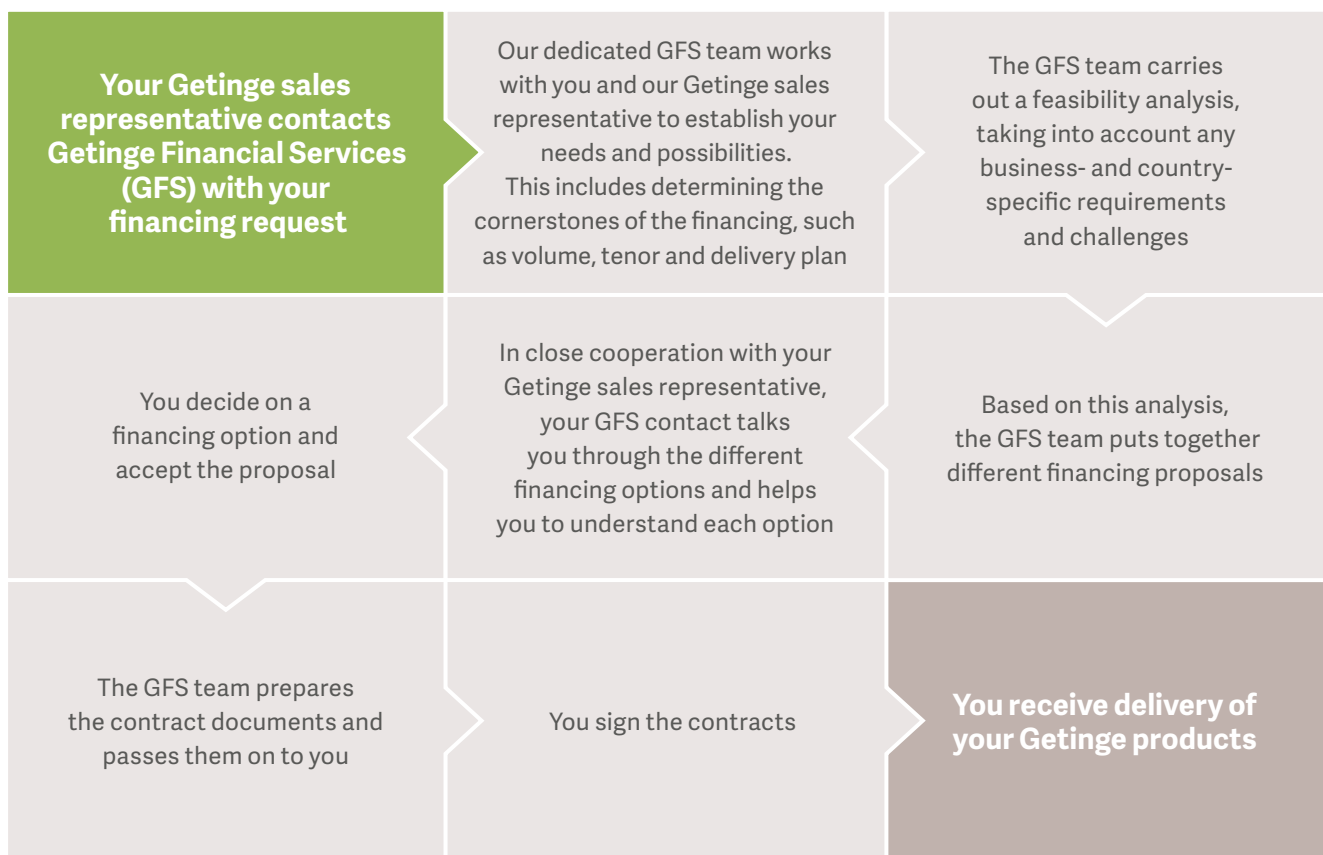
With GFS as your partner, you can benefit from adapted solutions that offer flexibility, competitive rates and relief from budget constraints and lengthy processes.

Are you looking for a financial solution for a small or mid-sized transaction volume?

Then talk to us! As well as for large orders, our financing solutions are ideally suited to small and mid-sized transaction volumes. Our step-by-step approach is aimed at making the financing process as easy and as transparent for you as possible.



Here is how it works



Getinge Financial Services helps you with the right advice to find the right financing for the right products.

Our dedicated team will support you every step of the way, to help you understand the different financing options and find the best solution for your needs. Just ask your Getinge sales representative for more information!

info.financialservices@getinge.com



Getinge is a global provider of innovative solutions for operating rooms, intensive care units, sterilization departments and for life science companies and institutions. Based on our firsthand experience and close partnerships with clinical experts, healthcare professionals and medtech specialists, we are improving the everyday life for people – today and tomorrow.

This document is intended to provide information to an international audience outside of the US.

Maquet GmbH · Kehler Str. 31 · 76437 Rastatt · Germany · +49 7222 932-0

www.getinge.com