



Maquet Alphamaxx

Mobile Universal Operating Table

This document is intended to provide information to an international audience outside of the US.

GETINGE 



Living up to all requirements

The multifunctional Maquet Alphamaxx OR Table

Developments made in conjunction with doctors: this is one of the basic principles leading to a product answering to daily challenges.

Close cooperation and many years of experience have resulted in tried and tested products which facilitate the work in the operating room and help to increase the safety and comfort of the patient. Best example: the Maquet Alphamaxx. This surgical table can withstand high loads in various positions. The modular structure of the table top

can be adapted to the size of the patient. In short time only it can be equipped with a variety of accessories for any surgical discipline. A longitudinal shift up to 280 mm / 11" (head end) and up to 185 mm / 7.2" (foot end) makes the Maquet Alphamaxx even more versatile. What's more, the stable three-point stand provides excellent stability.



An operating table in a class of its own

Extremely durable and just as versatile

Motorized longitudinal shift and height adjustment

The longitudinal shift of up to up to 280 mm / 11" (head end) and up to 185 mm / 7.2" (foot end) enables optimum access with the C-arm without needing to reposition the patient or to reverse the positioning of the patient. Each selected fluoroscopy point may easily be moved in front of or behind the column and with a height adjustment from 600 to 1,060 mm / 23.6 to 41.7" comfortable access to the patient is insured – from initiation to surgery.



Extreme load capacity

The need for operating tables with higher load capacity is increasing worldwide. With a maximum overall load of 450 kg / 992 lbs) the Maquet Alphamaxx offers highest levels of safety and stability.



Autodrive

The electric Autodrive in the base has a gentle start-up function that ensures easy and safe movement of the Maquet Alphamaxx on four hydraulic double swivel castors. The pressure place on the floor covering is reduced. The latest development of Maquet, Sensor Drive, is a wireless control for the Autodrive of the Maquet Alphamaxx. It uses an infrared technology enabling easy manoeuvring of the OR table and a speed regulation feature.



Optimized patient transport

Safe and mobile even with high loads

Trendsetting: the Autodrive

Four hydraulically actuated double swivel castors raise the operating table gently. An optional electric Autodrive with gentle start-up function ensures additional comfort and convenience.



Safe three-point base – even in the event of uneven floors

Effortless OR table manoeuvring: Sensor Drive

The Sensor Drive is a wireless control for the Autodrive of the Maquet Alphamaxx using infrared technology. It enables easy manoeuvring of the OR table and patient. The Sensor Drive regulates precisely the speed as well as forward or reverse drive.

The handle is mounted to the OR table side rail, generally on the head rest. For operating, only one hand is needed, this enables the OR team and nursing staff to drive and steer at the same time.



Adaptable accessories

Modularity combined with safety prevention



Identical mounting point geometry provides more flexibility when it comes to patient positioning. Leg and back plates may easily be interchanged to enable reverse positioning. High safety due to "passive lock" and "active unlock" functions.



Various modules can be exchanged easily and safely in no time at all.

Maximum overall load: 450 kg (992 lbs)

"Easy Click" for simple and quick module changes

Motorised longitudinal shift for optimal access of the C-arm



The modular structure of the table top forms the basis for the versatile adaptation options for specific surgical disciplines and patient statures. The mounting points at the head and foot end have an Easy Click lock and simplify the quick replacement of socket-mounted modules without the use of time-consuming screw connections.



Reliable connection due to "passive lock" and "active unlock" functions.

Safety-oriented functionality: the electrohydraulically driven leg plates may be adjusted individually or synchronously. An automatic component recognition in the leg plate mounting point increases the safety of use. Depending on the table top position, the electronics monitor the adjustment areas in order to prevent collision.



The leg plates are adjusted electrohydraulically – individually or synchronously, as required.

Lower back plate with gynaecological cutout for reverse positioning of the patient in lithotomy position

Expanded modularity: additional mounting point for extension modules

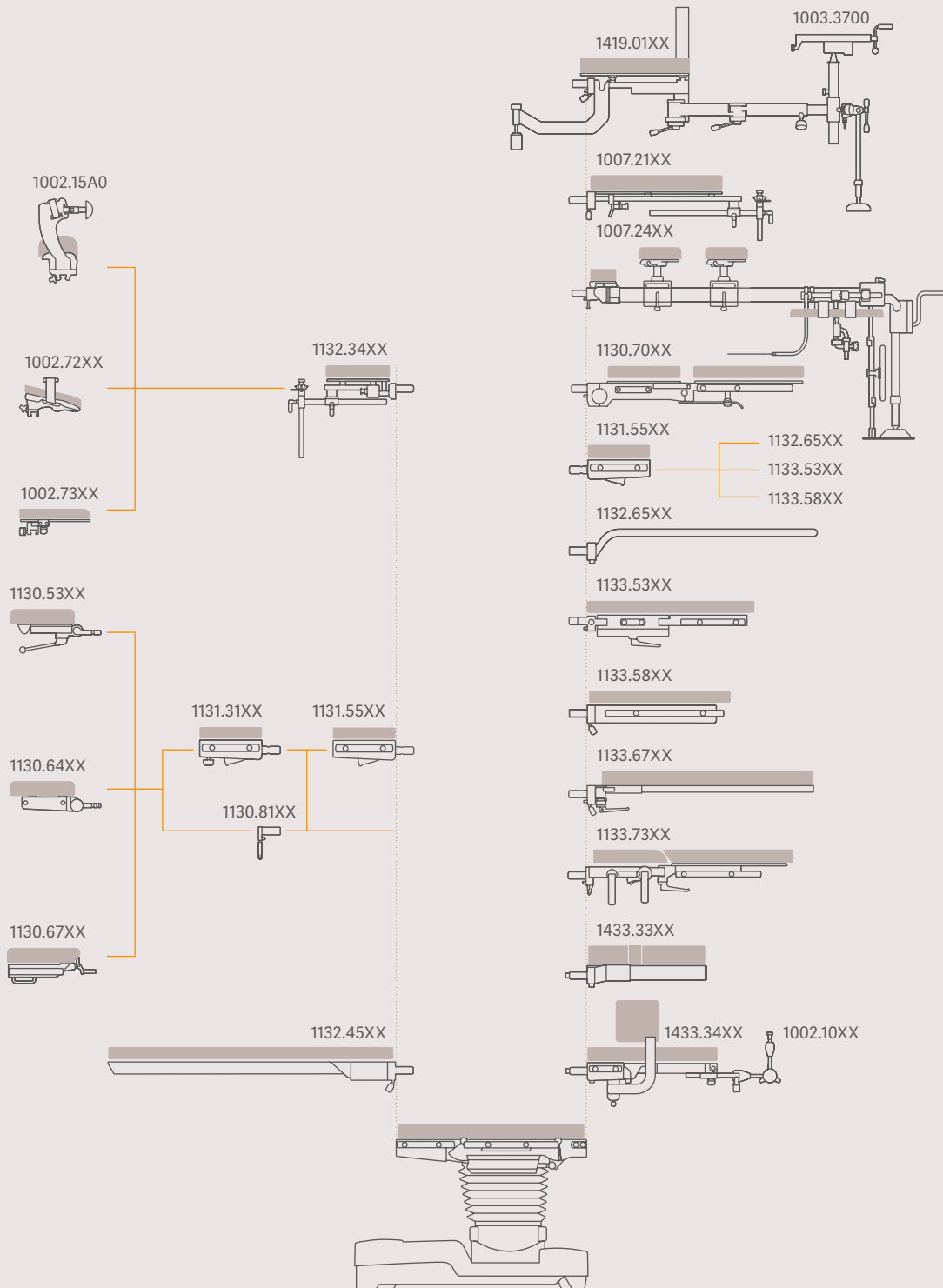
Modular design for ideal adaptation to a wide variety of surgical tasks

SFC padding (80 mm / 3") with multi-layer design for positioning comfort at all times of the procedure



Maquet Alphamaxx 1133.22

Accessory overview



This illustration is only an example of possible accessories combinations. All possible scenarios are illustrated in the IFU.

Reverse mode

Flexible patient positioning

The examples show the different options that normal and reverse positioning offer to the various surgical disciplines. Using the Universal Frame with a long positioning plate (adapted to the leg plate mounting point, with reverse positioning) permits, e.g. extremely free positioning for intraoperative fluoroscopy and excellent access for the

surgical team. The lower back plate has a gynaecological cutout for reverse positioning of the patient in lithotomy position. There is no longer a need for an additionally mounted seat plate extension. The C-arm can easily be used in urological surgery.



Normal mode

Maximised radiolucency and optimal surgical access is granted through the addition of the seat plate extension



Reverse mode

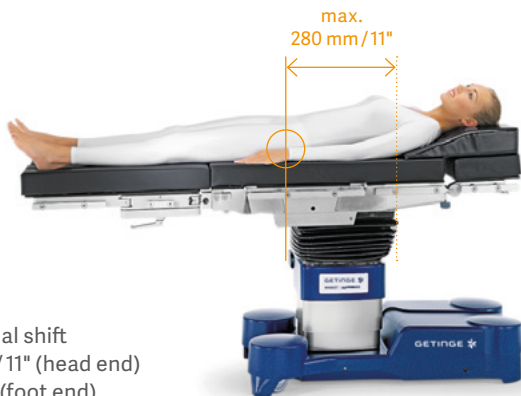
Lower back plate with gynaecological cutout for urological surgery without seat plate extension



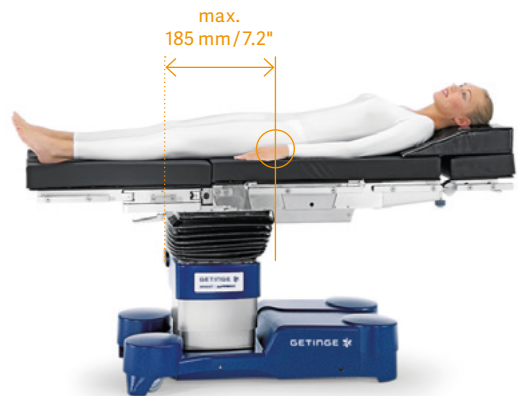
The use of carbon-fiber modules ensure unrestricted 360° use of the C-arm without having to readjust the patient in both normal and reverse mode

C-arm access

Superior radiolucency



A motorized longitudinal shift of up to up to 280 mm / 11" (head end) and up to 185 mm / 7.2" (foot end).



Extension device for orthopedic and traumatological treatment of e.g. femur, hip and tibia



Versatile cushioning technology allows maximized patient comfort and radiotranslucency

The universal frame with carbon-fiber bars permits unrestricted C-arm access for 360° fluoroscopy





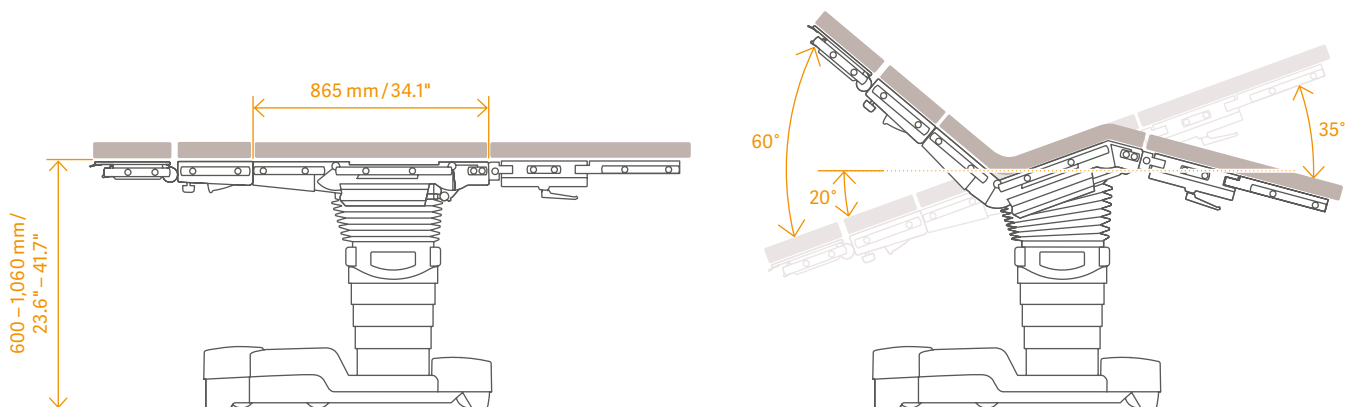
Technical specifications

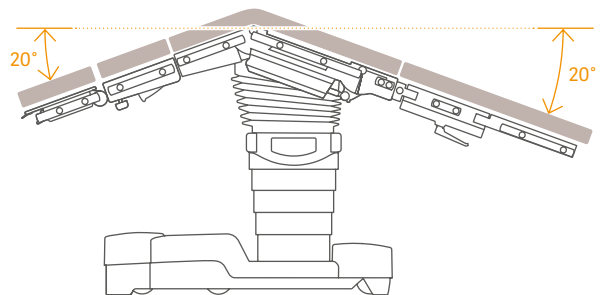
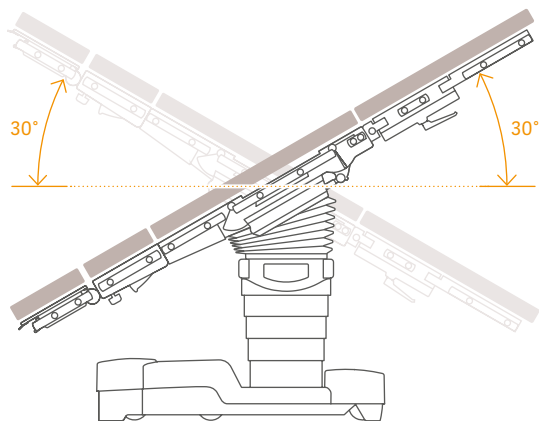
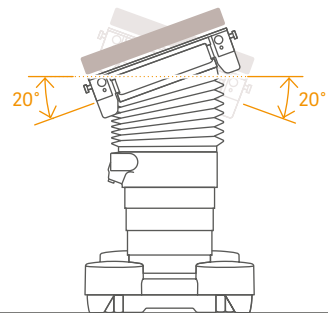
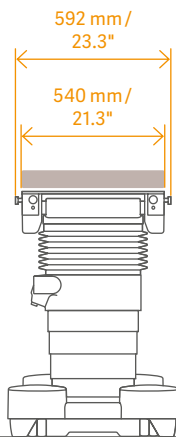
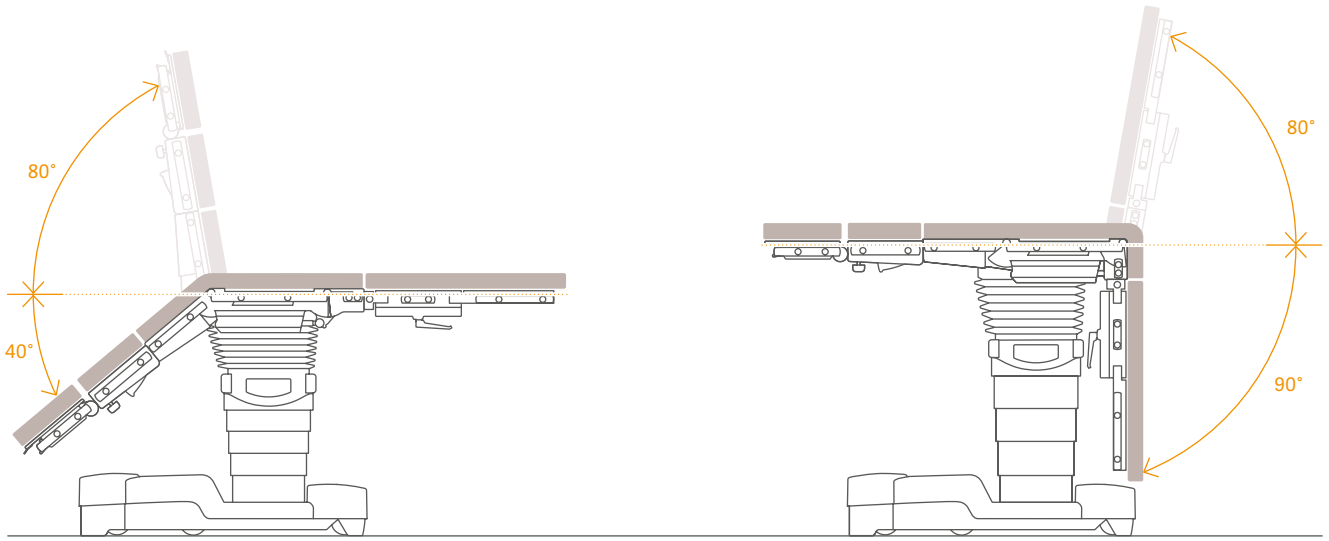
Adjustment options*	
Height without padding	600 – 1,060 mm / 23.6" – 42.7"
Trendelenburg	+30° / -30°
Lateral tilt	20°
Lower back plate	+80° / -40°
Leg plates (adjustable individually or synchronously)	+80° / -90°
Longitudinal shift towards the head end	280 mm / 11"
Longitudinal shift towards the foot end	185 mm / 7.2"
Flex / Reflex / Beach Chair	
0-position (horizontal position of operating table top)	
Foot locking ("Lock" / "Unlock")	

* using corded hand control, IR remote control

Technical information	
Max. overall load	450 kg / 992 lbs
Operating table weight	320 kg / 703 lbs

Dimensions	
Length without accessories	865 mm / 34.1"
Width without side rails	540 mm / 21.3"
Width across side rails	592 mm / 23.3"





General construction features:

- Battery and mains power operation (see electrical specifications)
- Stable base construction with four double-swivel castors for easy movement and manoeuvring (locking via the control units)
- The covers for the base and override control panel are made of glass fiber-reinforced composite plastic, resistant to impact, breakage and disinfectant agents, with neutral tone colouring and a scratch-resistant coating
- CrNi steel column casing
- Seat plate supporting arms made of cast aluminium with CrNi steel casing
- Back plate supporting arms, leg clamps, joint cover and side rails made of CrNi steel

Features of the operating table top:

- Operating table top: subdivided into six sections with head rest (optional), upper back plate (optional), lower back plate, seat plate, leg plates (optional)
- Entire table top without crossbars, to enable intraoperative fluoroscopy
- Guide rails for the insertion of X-ray cassettes from the head end
- SFC padding, 80 mm (3") thick

Electrical specifications:

- Special-design rechargeable batteries with a capacity for at least a week's use in the operating room
- Electronic monitoring of the charge level, with optical and acoustic display
- Batteries recharged from the mains power supply, 100–240 V AC (switchable), 50–60 Hz, via power supply cable
- Safety class II, type B; the enclosure leakage current meets the requirements of the patient leakage current for CF conditions as per EN 60601-1

Versions and table top padding

1133.22X4	Maquet Alphamaxx Mobile Operating Table for general surgery in modular design, motorized longitudinal shift of up to up to 280 mm/11" (head end) and up to 185 mm/7.2" (foot end), electrohydraulic, without control units, with 80 mm/3" SFC padding, radiolucent and electrically conductive, for use in areas subject to explosion hazard, AP-M-approved
1133.22X5	see above (1133.22X4), with electric Autodrive

Required basic accessories

1133.90XX	Corded hand control
1130.64XX	Dual joint head rest with slope adjustment feature, with guide rails for X-ray cassettes and SFC padding
1131.31XX	Extension plate
1133.53XX	Pair of leg plates, abduction using dual-joint, with SFC padding

Operation via

1133.91X0	IR remote control with charging station
1009.81F0	Foot switch for the following functions: height, Trendelenburg/rev. Trendelenburg, back
1009.81F1	Foot switch for the following functions: height, Trendelenburg/rev. Trendelenburg, lateral tilt
1009.81F3	Foot switch for the following functions: height, Trendelenburg/rev. Trendelenburg, longitudinal shift

Optional accessories

Head rests

1130.81XX	Head rest adapter
1130.67XX	Head rest with gas strut assisted adjustment, SFC padding
1130.53XX	Dual joint head rest with slope adjustment feature, with guide rails for X-ray cassettes and SFC padding

Back plate

1007.21XX	Back plate for shoulder surgery, long
1132.34XX	Back plate for shoulder surgery, short
1433.33XX	CF back plate for neurosurgery
1433.34XX	Back plate for shoulder surgery, long
1132.45AC	CF back plate, long

Leg plates

1133.58XX	Leg plate, single-section, SFC padding
1133.73XX	Pair of leg plates, 4-section, SFC padding
1133.67XX	Pair of leg plates, carbon fiber, SFC padding
1131.55XX	Seat plate extension, SFC padding
1132.65XX	Transfer board, load of max. 40 kg/88 lbs, without side rails

Other accessories

1419.01HC	Extension device for Maquet Alphamaxx Mobile Operating Table
1133.80A0	X-ray top (7-piece)



With a firm belief that every person and community should have access to the best possible care, Getinge provides hospitals and life science institutions with products and solutions aiming to improve clinical results and optimize workflows. The offering includes products and solutions for intensive care, cardiovascular procedures, operating rooms, sterile reprocessing and life science. Getinge employs over 10,000 people worldwide and the products are sold in more than 135 countries.

This document is intended to provide information to an international audience outside of the US.

Maquet GmbH · Kehler Str. 31 · 76437 Rastatt · Germany · +49 7222 932-0

www.getinge.com