



# Maquet Betaclassic

Mobile operating table

This document is intended to provide information to an international audience outside of the US.

GETINGE 





# High-quality and cost-efficient Mobile operating table

A manually operated hydraulic power unit and ergonomically designed controls are standard on the robust Maquet Betaclassic.

A few swift pumps of the pedal-operated selector enable precise adjustment of the table top position. The proven design ensures excellent table stability and unrestricted patient access for the surgical team.

Maquet Betaclassic provides dedicated solutions for military and disaster medicine, as it does not depend on any external power source. Thanks to the large castors, the OR table can be transported regardless of the terrain.

## **Tried and tested features at a glance:**

- Multiple section table top
- Optional longitudinal shift
- Ergonomically arranged control elements
- Pedal-operated selection calotte
- Low table height for convenient working when seated





# Maquet Betaclassic

## Fulfilling all OR needs

The combination of universal usage options, operating convenience and safety makes the OR table a practical all-rounder. The comprehensive OR table accessories offer the appropriate functionality for all requirements. SFC padding and the optimally covered joints ensure good positioning comfort and support the safety of the patient.

### **Ergonomic working:**

- Table top can be set to an extremely low position (600mm – 23"), enabling ergonomic working when seated.

- Optional longitudinal shift enables ideal C-arm usage.
- Good access to the patient, e.g. for minimally invasive surgery, thanks to the abduction joints at the leg plate mounting point.

### **Drive and control:**

The hydraulic drive and the ergonomic control elements are characteristic of this operating table. The pedal-operated selection calotte enables precise setting of the table top positions with just a few foot operations. The OR table base in the tried and tested design offers free access and stability.

# Patient positioning

## Examples



Positioning for laparoscopic surgery, good access thanks to abduction joint.



Lithotomy position with leg holder.



Beach-Chair position for shoulder surgery, in reverse.



Fracture treatment with traction device.



Supine position for neurosurgical procedures.



Supine position for procedures in the head area, low height enables ergonomic working when seated.

# Technical description

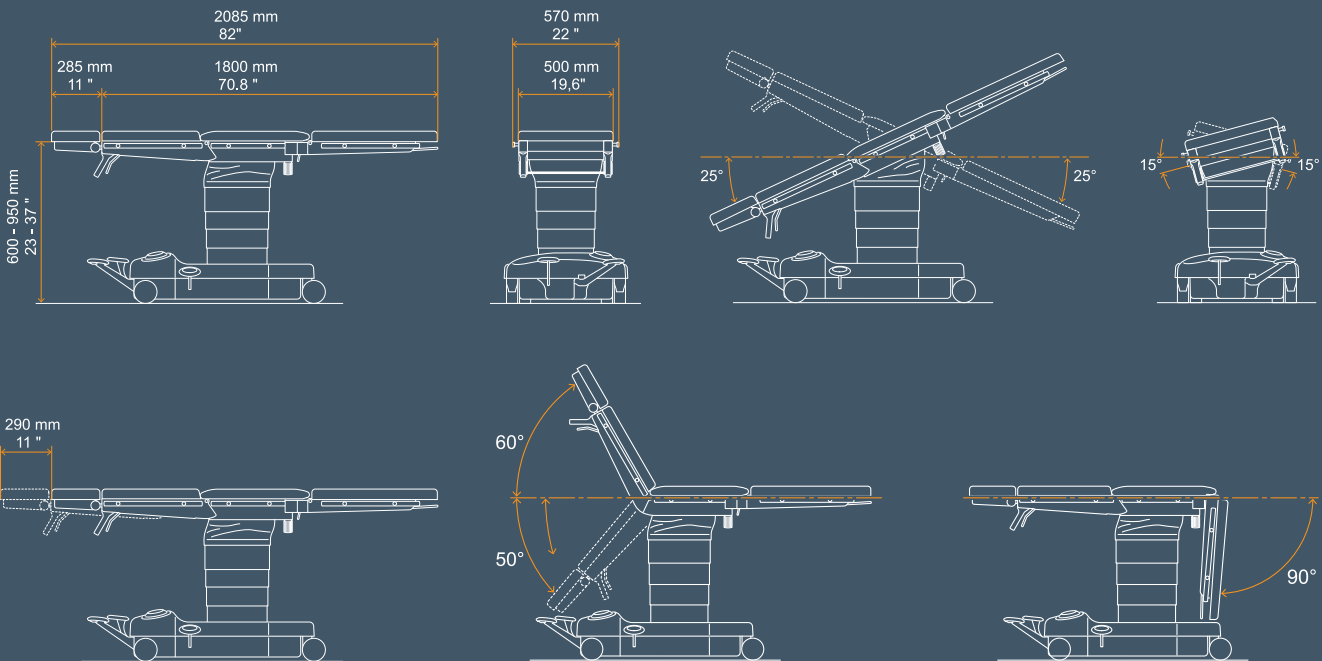
## and construction features

| Dimensions               |                         |
|--------------------------|-------------------------|
| Length with head rest    | 2085 mm / 82"           |
| Length without head rest | 1800 mm / 70.8"         |
| Width                    | 500 mm / 19.6"          |
| Width across side rails  | 570 mm / 22"            |
| Height (without padding) | 600 mm–950 mm / 23"–37" |

| Weight               |                  |
|----------------------|------------------|
| Net weight           | 172 kg / 379 lbs |
| Maximum overall load | 155 kg / 341 lbs |

| Adjustment options            |              |
|-------------------------------|--------------|
| Inclination                   | +25° / -25°  |
| Lateral tilt                  | 15°          |
| Back plate up/down            | +60°/50°     |
| Leg plate up/down             | 0°/90°       |
| Longitudinal shift (optional) | 290 mm / 11" |
| Abduction of leg plates       | 90°          |



## General construction features

- Pedal-operated hydraulic drive for the basic functions, height, lateral tilt and inclination
- Stable base construction with large double castors for comfortable transportation and maneuvering
- Base cover made from fiberglass resistant to impact and disinfection ingredients
- Entire table top frame and column casing made from CrNi steel

## Features of the OR table top

- Divided in 5 sections, head rest (optional), back plate, seat plate and leg plates (optional)
- SFC padding (Special Foam Core), pad thickness 80 mm
- With guide rails for insertion of X-ray cassette (from the head end)
- Reverse positioning of the patient (with some accessories)

## Variations

- 1118.01B0 Maquet Betaclassic, mobile operating table with hydraulic and pneumatic adjustment features, SFC padding, without head rest and leg plates
- 1118.01K0 Maquet Betaclassic, mobile operating table with hydraulic and pneumatic adjustment features, SFC padding, without head rest and leg plates with longitudinal shift

## Optional accessories

- 1118.50B0 Pair of leg plates, adjustment with pneumatic support hinged and abductable
- 1130.54A0/B0 Connection bracket - for mounting of further head rest accessories
- 1130.53B0 Head rest with dual joint adjustment for inclining and raising the head rest
- 1130.64A0/C0/D0/G0 Head rest
- 1130.67A0/B0/C0 Head rest with gas-strut assisted adjustment
- 1005.78C0 Paediatric OR table top
- 1007.18B0 Back plate for shoulder operations - manoevered with a hand crank
- 1007.20A0 Trolley - for storage and easy attachment of the back plate
- 1007.24A1 Universal frame for patient positioning
- 1007.53A0 Kneeling frame
- 1130.65A0 Transfer board
- 1132.65A0 Transfer board
- 1419.01C0 Traction device



With a firm belief that every person and community should have access to the best possible care, Getinge provides hospitals and life science institutions with products and solutions aiming to improve clinical results and optimize workflows. The offering includes products and solutions for intensive care, cardiovascular procedures, operating rooms, sterile reprocessing and life science. Getinge employs over 10,000 people worldwide and the products are sold in more than 135 countries.

Maquet (Suzhou) Co., Ltd. · No.158 Fangzhou Road · Suzhou Industrial Park · 215024 Suzhou · China · +86 (0) 512 62839880

[www.getinge.com](http://www.getinge.com)